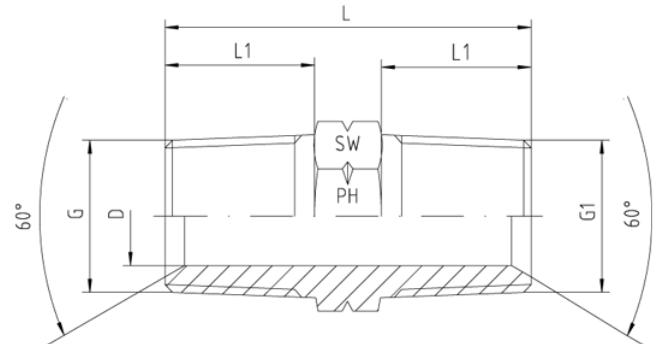
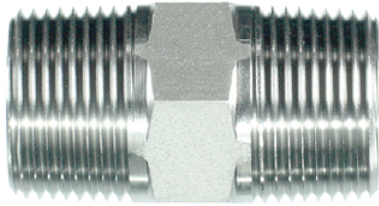


## Rubrik 5.13

### NPT - NPT



NPT - Männlich mit 60°-Konus

Druck	Gewinde		Ca. Maße				Bestellzeichen	
	PN	G = NPT	G1 = NPT	L	L1	D		SW
630		1/8"-27	1/8"-27	27,0	10,0	5,0	12	1282810-02-02
630		1/4"-18	1/4"-18	36,5	15,0	7,0	14	1282810-04-04
630		3/8"-18	3/8"-18	36,5	15,3	9,0	19	1282810-06-06
630		1/2"-14	1/2"-14	48,4	20,0	13,5	22	1282810-08-08
630		3/4"-14	3/4"-14	50,0	20,0	18,0	27	1282810-12-12
400		1"-11,5	1"-11,5	59,0	25,0	21,0	36	1282810-16-16
400		1 1/4"-11,5	1 1/4"-11,5	63,0	25,5	31,5	46	1282810-20-20
400		1 1/2"-11,5	1 1/2"-11,5	65,0	26,0	36,0	50	1282810-24-24
315		2"-11,5	2"-11,5	68,0	26,0	46,0	65	1282810-32-32