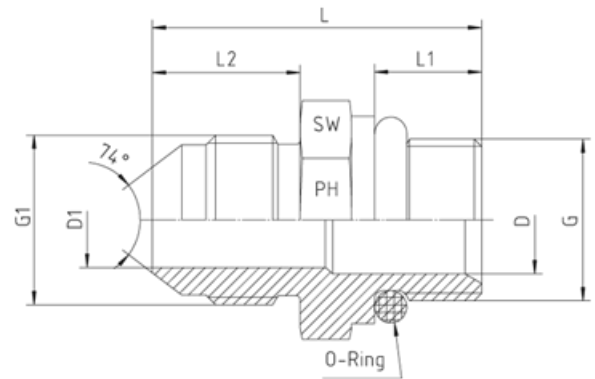
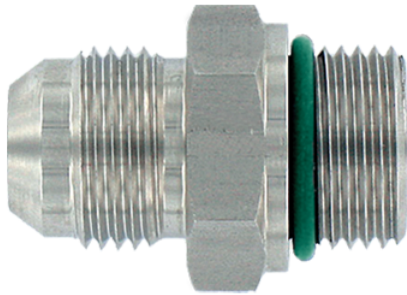


Rubrik 6.20

JIC - Männlich - SAE J 514



JIC - Männlich Einschraubgewinde: UNF Abdichtung durch Runddichtung (O-Ring) (FKM) ISO 11926 Achtung: Spezielle Gewindeaussenkung erforderlich.

Druck	Rohr A.D.		Gewinde		Ca. Maße						O-Ring	Bestellzeichen	
	PN	mm	in.	G1 = UNF/UN	G = UNF/UN	L	L1	L2	D	D1			SW
350	6	1/4"		7/16"-20	7/16"-20	31,0	9,2	14,0	4,5	4,5	17	9,17 x 1,83	1052511-04-04
350	8	5/16"		1/2"-20	1/2"-20	31,0	9,2	14,0	6,0	6,0	17	10,25 x 1,83	1052511-05-05
350	8	5/16"		1/2"-20	9/16"-18	33,0	10,0	14,0	5,0	5,0	19	11,89 x 1,98	1052511-05-06
350	10	3/8"		9/16"-18	9/16"-18	33,0	10,0	14,0	7,5	7,5	19	11,89 x 1,98	1052511-06-06
350	10	3/8"		9/16"-18	3/4"-16	35,5	11,0	14,0	9,5	7,5	24	16,32 x 2,21	1052511-06-08
350	12	1/2"		3/4"-16	3/4"-16	38,0	11,0	17,0	9,5	9,5	24	16,32 x 2,21	1052511-08-08
350	12	1/2"		3/4"-16	7/8"-14	40,0	12,7	17,0	12,0	9,5	27	19,18 x 2,46	1052511-08-10
350	14, 15, 16	5/8"		7/8"-14	3/4"-16	42,0	11,0	19,5	9,5	12,5	27	16,36 x 2,21	1052511-10-08
350	14, 15, 16	5/8"		7/8"-14	7/8"-14	43,0	12,7	19,5	12,0	12,0	27	19,18 x 2,46	1052511-10-10
350	14, 15, 16	5/8"		7/8"-14	1 1/16"-12	47,0	15,0	19,5	15,0	12,0	32	23,47 x 2,95	1052511-10-12
350	18, 20	3/4"		1 1/16"-12	1 1/16"-12	50,0	15,0	22,0	15,0	15,0	32	23,47 x 2,95	1052511-12-12
350	18, 20	3/4"		1 1/16"-12	1 5/16"-12	51,0	15,0	22,0	21,5	15,0	41	29,74 x 2,95	1052511-12-16
280	25	1"		1 5/16"-12	1 5/16"-12	52,0	15,0	23,0	21,5	21,5	41	29,74 x 2,95	1052511-16-16
210	28, 30, 32	1 1/4"		1 5/8"-12	1 1/16"-12	55,0	15,0	24,3	15,0	27,5	46	23,47 x 2,95	1052511-20-12
210	28, 30, 32	1 1/4"		1 5/8"-12	1 5/8"-12	53,0	15,0	24,3	27,5	27,5	50	37,47 x 3,00	1052511-20-20
210	35, 38	1 1/2"		1 7/8"-12	1 7/8"-12	56,5	15,0	27,5	33,0	33,0	55	43,69 x 3,00	1052511-24-24
150	50	2"		2 1/2"-12	2 1/2"-12	68,5	15,1	33,9	45,0	45,0	70	59,36 x 3,00	1052511-32-32