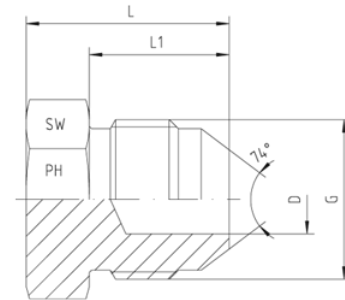
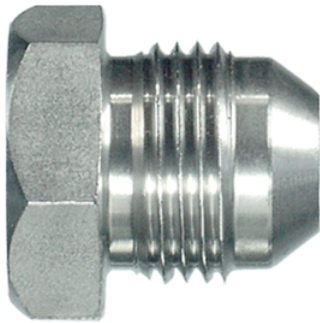


Rubrik 6.34

Verschlussstopfen



Verschlussstopfen Männlich

Druck	Rohr A.D.		Gewinde	Ca. Maße				Bestellzeichen
	mm	in.		G	L	L1	D	
350	6	1/4"	7/16"-20 UNF	20,5	14,0	4,0	12	5250010-04
350	8	5/16"	1/2"-20 UNF	20,5	14,0	5,0	14	5250010-05
350	10	3/8"	9/16"-18 UNF	22,0	14,0	7,0	17	5250010-06
350	12	1/2"	3/4"-16 UNF	24,0	17,0	9,5	22	5250010-08
350	14, 15, 16	5/8"	7/8"-14 UNF	28,0	19,5	12,0	24	5250010-10
350	18, 20	3/4"	1 1/16"-12 UN	33,0	22,0	15,0	27	5250010-12
280	25	1"	1 5/16"-12 UN	34,0	23,0	21,5	36	5250010-16
210	28, 30, 32	1 1/4"	1 5/8"-12 UN	37,7	24,3	27,5	46	5250010-20
210	35, 38	1 1/2"	1 7/8"-12 UN	42,5	27,5	33,0	50	5250010-24
150	50	2"	2 1/2"-12 UN	52,0	33,9	45,0	65	5250010-32