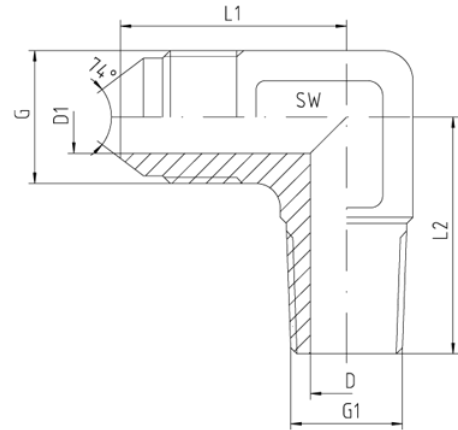
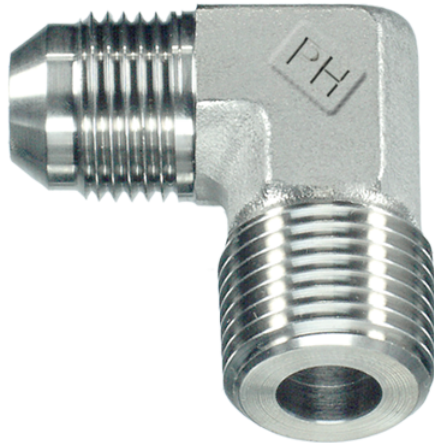


Rubrik 6.23

JIC - Männlich x Kegelig - Männlich



Außengewinde-Einschrauber - 90° JIC - Männlich Whitworth-Rohrgewinde - Kegelig - Männlich

Druck	Rohr A.D.		Gewinde		Ca. Maße					Bestellzeichen
	mm	in.	G = UNF/UN	G1 = keg.	L1	L2	D	D1	SW	
315	6	1/4"	7/16"-20	1/8"-28	23,0	20,0	5,0	4,0	12	1252520-04-02
315	6	1/4"	7/16"-20	1/4"-19	27,0	28,0	7,0	4,0	14	1252520-04-04
315	6	1/4"	7/16"-20	3/8"-19	27,0	30,0	10,0	4,0	19	1252520-04-06
315	8	5/16"	1/2"-20	1/8"-28	24,0	20,0	5,0	6,0	13	1252520-05-02
315	8	5/16"	1/2"-20	1/4"-19	27,0	28,0	7,0	6,0	14	1252520-05-04
315	8	5/16"	1/2"-20	3/8"-19	28,0	30,0	10,0	6,0	19	1252520-05-06
315	10	3/8"	9/16"-18	1/8"-28						1252520-06-02
315	10	3/8"	9/16"-18	1/4"-19	27,0	28,0	7,0	8,0	14	1252520-06-04
315	10	3/8"	9/16"-18	3/8"-19	29,0	31,0	10,0	8,0	19	1252520-06-06
315	10	3/8"	9/16"-18	1/2"-14	31,0	36,0	13,0	7,5	19	1252520-06-08
315	12	1/2"	3/4"-16	1/4"-19	32,0	31,0	7,0	10,0	19	1252520-08-04
315	12	1/2"	3/4"-16	3/8"-19	32,0	31,0	10,0	10,0	19	1252520-08-06
315	12	1/2"	3/4"-16	1/2"-14	32,0	34,0	14,0	10,0	22	1252520-08-08
315	14, 15, 16	5/8"	7/8"-14	3/8"-19	37,0	33,0	10,0	12,0	22	1252520-10-06
315	14, 15, 16	5/8"	7/8"-14	1/2"-14	37,0	37,0	14,0	12,0	24	1252520-10-08
160	14, 15, 16	5/8"	7/8"-14	3/4"-14	37,5	41,5	15,5	12,5	24	1252520-10-12
315	18, 20	3/4"	1 1/16"-12	1/2"-14	42,0	38,0	14,0	15,5	24	1252520-12-08
160	18, 20	3/4"	1 1/16"-12	3/4"-14	42,0	40,0	18,0	16,0	27	1252520-12-12
160	18, 20	3/4"	1 1/16"-12	1"-11	45,0	46,0	24,0	16,0	36	1252520-12-16
160	25	1"	1 5/16"-12	1/2"-14						1252520-16-08

160	25	1"	1 5/16"-12	3/4"-14	46,0	45,0	18,0	22,0	33	1252520-16-12
160	25	1"	1 5/16"-12	1"-11	46,0	50,0	24,0	22,0	33	1252520-16-16
160	28, 30, 32	1 1/4"	1 5/8"-12	1"-11	52,0	60,0	24,0	28,0	41	1252520-20-16
160	28, 30, 32	1 1/4"	1 5/8"-12	1 1/4"-11	52,0	61,0	32,0	28,0	41	1252520-20-20
140	35, 38	1 1/2"	1 7/8"-12	1 1/4"-11						1252520-24-20
140	35, 38	1 1/2"	1 7/8"-12	1 1/2"-11	64,0	59,0	33,0	33,0	50	1252520-24-24