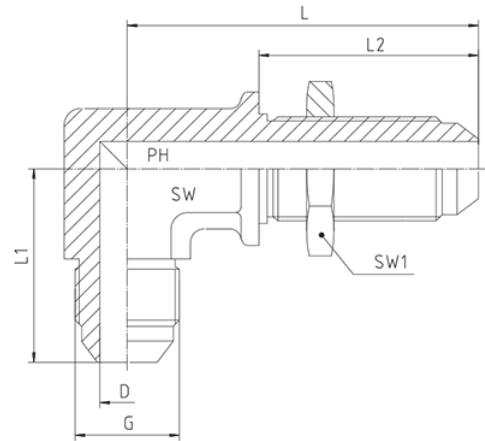
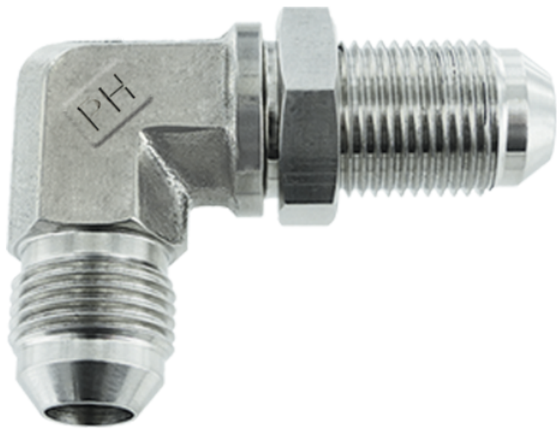


Rubrik 6.17

Winkel-Schottverschraubungen



Winkel-Schottverschraubungen - 90°

Druck	Rohr A.D.		Gewinde	Ca. Maße						Bestellzeichen
	mm	in.		G	L	L1	L2	D	SW1	
350	6	1/4"	7/16"-20 UNF	40,0	25,0	26,0	4,0	17	11	1252521-04-04
350	8	5/16"	1/2"-20 UNF	44,0	27,0	26,0	6,0	19	13	1252521-05-05
350	10	3/8"	9/16"-18 UNF	46,0	28,0	28,0	8,0	22	14	1252521-06-06
350	12	1/2"	3/4"-16 UNF	54,0	36,0	32,0	10,0	24	19	1252521-08-08
350	14, 15, 16	5/8"	7/8"-14 UNF	61,0	40,0	35,0	12,0	30	22	1252521-10-10
350	18, 20	3/4"	1 1/16"-12 UN	68,0	45,0	40,0	16,0	36	27	1252521-12-12
280	25	1"	1 5/16"-12 UN	71,0	49,0	40,0	22,0	41	41	1252521-16-16
210	28, 30, 32	1 1/4"	1 5/8"-12 UN	80,0	55,0	41,0	28,0	50	41	1252521-20-20
210	35, 38	1 1/2"	1 7/8"-12 UN							1252521-24-24