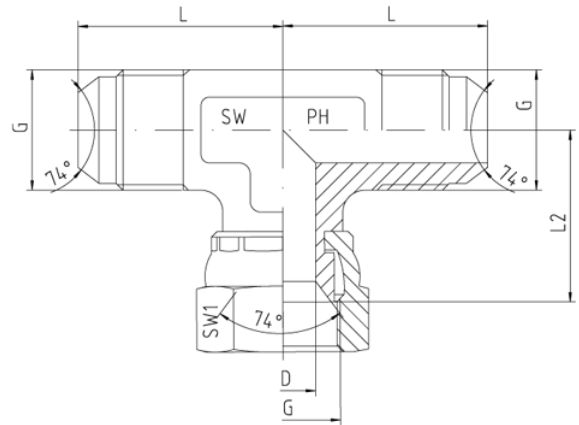
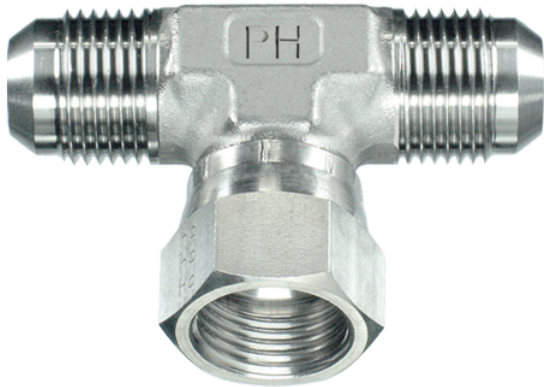


Rubrik 6.13

JIC - Weiblich x JIC - Männlich



TE-Adapter AGJ - DKJ - AGJ

Druck	Rohr A.D.		Gewinde	Ca. Maße					Bestellzeichen
	mm	in.		G	L	L2	D	SW1	
350	6	1/4"	7/16"-20 UNF	22,5	16,7	4,0	14	12	1252515-04-04-04
350	8	5/16"	1/2"-20 UNF	24,0	17,5	5,5	17	13	1252515-05-05-05
350	10	3/8"	9/16"-18 UNF	27,0	22,3	7,5	19	14	1252515-06-06-06
350	12	1/2"	3/4"-16 UNF	31,0	24,5	10,0	24	19	1252515-08-08-08
350	14, 15, 16	5/8"	7/8"-14 UNF	37,5	29,5	12,0	27	24	1252515-10-10-10
350	18, 20	3/4"	1 1/16"-12 UN	42,0	31,0	15,5	32	24	1252515-12-12-12
250	25	1"	1 5/16"-12 UN	46,0	35,7	21,5	41	33	1252515-16-16-16
210	28, 30, 32	1 1/4"	1 5/8"-12 UN	52,5	42,8	27,5	50	41	1252515-20-20-20
170	35, 38	1 1/2"	1 7/8"-12 UN	59,0	47,2	33,0	60	50	1252515-24-24-24
150	50	2"	2 1/2"-12 UN	77,5	62,1	45,0	70	65	1252515-32-32-32