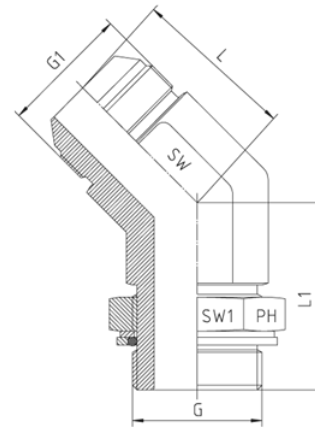


Rubrik 6.27

EVW-Verschraubungen - 45°



Einstellbare Winkel-Verschraubungen - 45° Einschraubgewinde G: Whitworth-Rohrgewinde - Zylindrisch Abdichtung durch gekammerten O-Ring (FKM) - ISO 1179

Druck	Rohr A.D.		Gewinde		Ca. Maße				O-Ring	Bestellzeichen	
	PN	mm	in.	G1 = UNF/UN	G = BSP	L	L1	SW1			SW
250	6	1/4"		7/16"-20	1/8"	18	27	14	11	8 x 2,2	1252534-04-02
200	6	1/4"		7/16"-20	1/4"	21	29	19	14	10,77 x 2,62	1252534-04-04
200	8	5/16"		1/2"-20	1/8"	20	27	14	14	8 x 2,2	1252534-05-02
200	8	5/16"		1/2"-20	1/4"	21	27	19	14	10,77 x 2,62	1252534-05-04
200	10	3/8"		9/16"-18	1/4"	21	29	19	14	10,77 x 2,62	1252534-06-04
200	10	3/8"		9/16"-18	3/8"	22	33	22	19	13,94 x 2,62	1252534-06-06
200	10	3/8"		9/16"-18	1/2"	22	39	27	22	17,86 x 2,62	1252534-06-08
200	12	1/2"		3/4"-16	3/8"	25	33	22	19	13,94 x 2,62	1252534-08-06
200	12	1/2"		3/4"-16	1/2"	25	39	27	22	17,86 x 2,62	1252534-08-08
200	14, 15, 16	5/8"		7/8"-14	1/2"	28	39	27	22	17,86 x 2,62	1252534-10-08
200	18, 20	3/4"		1 1/16"-12	3/4"	33	44	36	27	23,47 x 2,62	1252534-12-12
200	25	1"		1 5/16"-12	1"	37,5	47	41	33	29,74 x 3,53	1252534-16-16