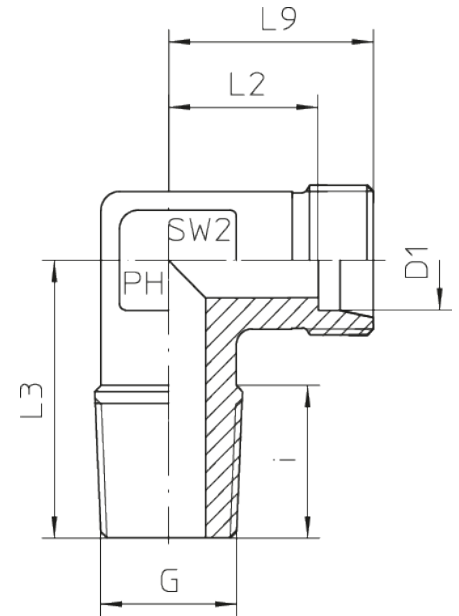


Rubrik 8.119

NPT - OMD



Winkel-Einschraubverschraubungsstutzen S-Reihe Einschraubgewinde: NPT

Druck	Rohr A.D.	Gewinde	Ca. Maße					i	SW2	Bestellzeichen
			L2	L3	L9	G	D1			

Reihe S

630	6	1/4" NPT	16,0	26,0	23,0	15,0	12	WE-S-06-1/4"-NPT-OMD
630	6	3/8" NPT	17,5	27,0	22,0	15,3	14	WE-S-06-3/8"-NPT-OMD
630	6	1/2" NPT	21,0	34,0	29,0	20,0	17	WE-S-06-1/2"-NPT-OMD
630	8	1/4" NPT	17,0	27,0	24,0	15,0	14	WE-S-08-1/4"-NPT-OMD
630	8	3/8" NPT	18,0	28,0	24,0	15,3	14	WE-S-08-3/8"-NPT-OMD
630	8	1/2" NPT	23,0	34,0	28,0	20,0	17	WE-S-08-1/2"-NPT-OMD
630	10	1/4" NPT	17,5	28,0	25,0	15,0	17	WE-S-10-1/4"-NPT-OMD
630	10	3/8" NPT	17,5	28,0	25,0	15,3	17	WE-S-10-3/8"-NPT-OMD
630	10	1/2" NPT	22,5	32,0	30,0	20,0	17	WE-S-10-1/2"-NPT-OMD
630	12	1/4" NPT	21,5	29,0	29,0	15,0	17	WE-S-12-1/4"-NPT-OMD
630	12	3/8" NPT	21,5	28,0	29,0	15,3	17	WE-S-12-3/8"-NPT-OMD
630	12	1/2" NPT	21,5	32,5	29,0	20,0	17	WE-S-12-1/2"-NPT-OMD
630	14	3/8" NPT	22,0	30,0	30,0	15,3	19	WE-S-14-3/8"-NPT-OMD
630	14	1/2" NPT	22,0	34,0	30,0	20,0	19	WE-S-14-1/2"-NPT-OMD
400	16	3/8" NPT	24,5	32,0	33,0	15,3	24	WE-S-16-3/8"-NPT-OMD
400	16	1/2" NPT	24,5	36,0	33,0	20,0	24	WE-S-16-1/2"-NPT-OMD
400	16	3/4" NPT	24,5	41,0	33,0	20,0	24	WE-S-16-3/4"-NPT-OMD
400	20	1/2" NPT	26,5	42,0	37,0	20,0	27	WE-S-20-1/2"-NPT-OMD

400	20	3/4" NPT	26,5	42,0	37,0	20,0	27	WE-S-20-3/4"-NPT-OMD
400	25	1" NPT	30,0	48,0	42,0	25,0	36	WE-S-25-1"-NPT-OMD
400	30	1 1/4" NPT	35,5	54,0	49,0	25,5	41	WE-S-30-1 1/4"-NPT-OMD
315	38	1 1/2" NPT	41,0	61,0	57,0	26,0	50	WE-S-38-1 1/2"-NPT-OMD