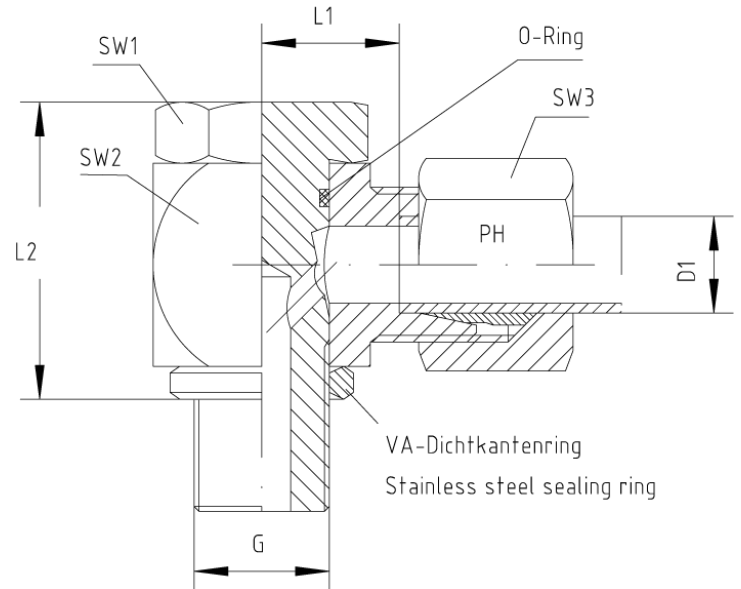
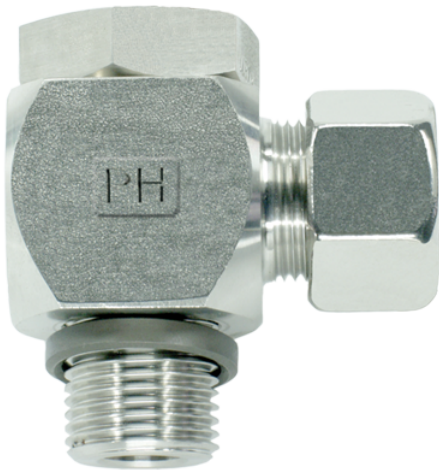


## Rubrik 8.183

### Whitworth - Zylindrisch - Standard



Winkel-Schwenkverschraubungen Mit VA-Dichtkantenring für Ausdrehung DIN 3852 (schmal) Hohlsschraube muss vor der Montage geschmiert werden (siehe Allgemeine Informationen Rubrik 1) Einschraubgewinde G: Whitworth-Rohrgewinde - Zylindrisch  
 O-Ring: FPM

| Druck           | Rohr A.D. | Gewinde | Ca. Maße |    |     |     |     | Bestellzeichen   |
|-----------------|-----------|---------|----------|----|-----|-----|-----|------------------|
| PN              | D1        | G       | L1       | L2 | SW1 | SW2 | SW3 |                  |
| <b>Reihe LL</b> |           |         |          |    |     |     |     |                  |
| 100             | 4         | G 1/8"  | 11,0     | 24 | 17  | 18  | 10  | WHV-LL-04-G 1/8" |
| 100             | 6         | G 1/8"  | 11,5     | 24 | 17  | 18  | 12  | WHV-LL-06-G 1/8" |
| 100             | 8         | G 1/8"  | 11,5     | 24 | 17  | 18  | 14  | WHV-LL-08-G 1/8" |
| <b>Reihe L</b>  |           |         |          |    |     |     |     |                  |
| 500             | 6         | G 1/8"  | 12,0     | 24 | 17  | 18  | 14  | WHV-L-06-G 1/8"  |
| 400             | 8         | G 1/4"  | 14,5     | 30 | 19  | 22  | 17  | WHV-L-08-G 1/4"  |
| 350             | 10        | G 1/4"  | 15,5     | 30 | 19  | 22  | 19  | WHV-L-10-G 1/4"  |
| 350             | 10        | G 3/8"  | 17,5     | 35 | 24  | 27  | 19  | WHV-L-10-G 3/8"  |
| 350             | 12        | G 1/4"  | 15,5     | 30 | 19  | 22  | 22  | WHV-L-12-G 1/4"  |
| 350             | 12        | G 3/8"  | 18,0     | 36 | 24  | 27  | 22  | WHV-L-12-G 3/8"  |
| 315             | 12        | G 1/2"  | 21,5     | 45 | 30  | 32  | 22  | WHV-L-12-G 1/2"  |
| 315             | 15        | G 1/2"  | 21,5     | 45 | 30  | 32  | 27  | WHV-L-15-G 1/2"  |
| 315             | 18        | G 1/2"  | 21,0     | 45 | 30  | 32  | 32  | WHV-L-18-G 1/2"  |
| 200             | 22        | G 3/4"  | 27,5     | 53 | 36  | 40  | 36  | WHV-L-22-G 3/4"  |
| 200             | 28        | G 1"    | 32,0     | 66 | 46  | 50  | 41  | WHV-L-28-G 1"    |

|     |    |          |      |    |    |    |    |                   |
|-----|----|----------|------|----|----|----|----|-------------------|
| 200 | 35 | G 1 1/4" | 36,0 | 76 | 55 | 60 | 50 | WHV-L-35-G 1 1/4" |
| 200 | 42 | G 1 1/2" | 40,5 | 87 | 60 | 70 | 60 | WHV-L-42-G 1 1/2" |

**Reihe S**

|     |    |          |      |    |    |    |    |                   |
|-----|----|----------|------|----|----|----|----|-------------------|
| 500 | 6  | G 1/4"   | 16,5 | 30 | 19 | 22 | 17 | WHV-S-06-G 1/4"   |
| 450 | 8  | G 1/4"   | 16,5 | 30 | 19 | 22 | 19 | WHV-S-08-G 1/4"   |
| 400 | 10 | G 1/4"   | 16,5 | 30 | 19 | 22 | 22 | WHV-S-10-G 1/4"   |
| 400 | 10 | G 3/8"   | 18,5 | 36 | 24 | 27 | 22 | WHV-S-10-G 3/8"   |
| 400 | 12 | G 3/8"   | 18,5 | 36 | 24 | 27 | 24 | WHV-S-12-G 3/8"   |
| 400 | 14 | G 1/2"   | 22,5 | 45 | 30 | 32 | 27 | WHV-S-14-G 1/2"   |
| 400 | 16 | G 1/2"   | 22,0 | 45 | 30 | 32 | 30 | WHV-S-16-G 1/2"   |
| 400 | 20 | G 3/4"   | 26,5 | 53 | 36 | 40 | 36 | WHV-S-20-G 3/4"   |
| 250 | 25 | G 1"     | 31,5 | 66 | 46 | 50 | 46 | WHV-S-25-G 1"     |
| 250 | 30 | G 1 1/4" | 37,0 | 76 | 55 | 60 | 50 | WHV-S-30-G 1 1/4" |
| 250 | 38 | G 1 1/2" | 41,5 | 87 | 60 | 70 | 60 | WHV-S-38-G 1 1/2" |