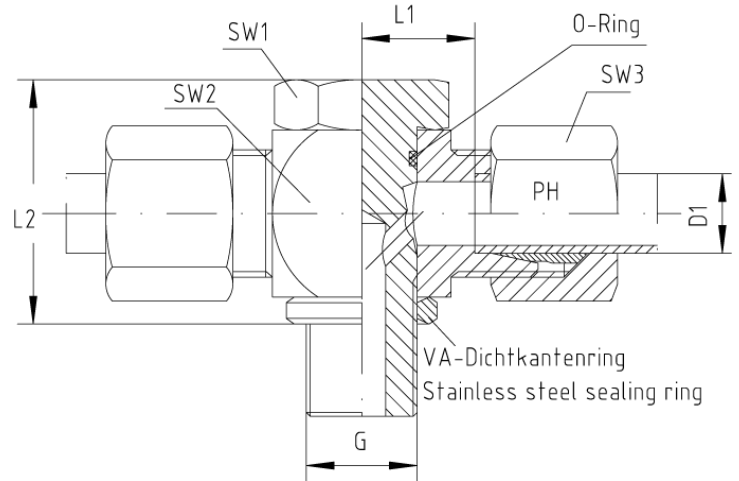
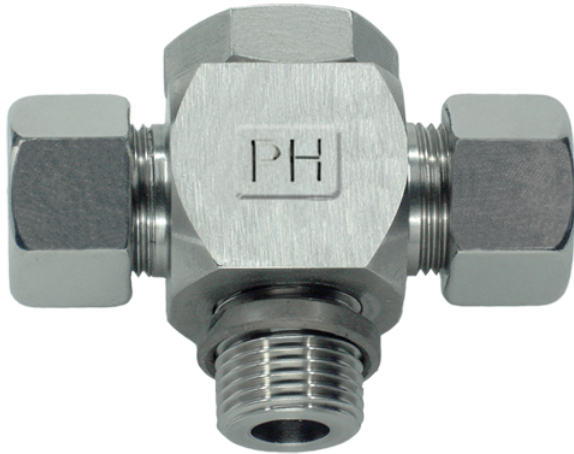


Rubrik 8.202

Metrisch - Zylindrisch - SC



T-Schwenverschraubungen Mit VA-Dichtkantenring für Ausdrehung DIN 3852 (schmal) Hohlverschraubung muss vor der Montage geschmiert werden (siehe Allgemeine Informationen Rubrik 1) Einschraubgewinde G: Metrisches Feingewinde - Zylindrisch

| Druck | Rohr A.D. | Gewinde | Ca. Maße | | | | | | Bestellzeichen |
|-------|-----------|---------|----------|----|-----|-----|-----|--|----------------|
| PN | D1 | G | L1 | L2 | SW1 | SW2 | SW3 | | |

Reihe L

| | | | | | | | | |
|-----|----|------------|------|------|----|----|----|----------------------|
| 500 | 6 | M 10 x 1 | 12,0 | 24,0 | 17 | 18 | 14 | THV-L-06-M 10x1-SC |
| 400 | 8 | M 12 x 1,5 | 14,5 | 30,0 | 19 | 22 | 17 | THV-L-08-M 12x1,5-SC |
| 350 | 10 | M 14 x 1,5 | 15,5 | 30,0 | 19 | 22 | 19 | THV-L-10-M 14x1,5-SC |
| 350 | 12 | M 16 x 1,5 | 18,0 | 36,0 | 24 | 27 | 22 | THV-L-12-M 16x1,5-SC |
| 315 | 15 | M 18 x 1,5 | 20,5 | 39,5 | 27 | 30 | 27 | THV-L-15-M 18x1,5-SC |
| 315 | 18 | M 22 x 1,5 | 21,0 | 45,0 | 30 | 32 | 32 | THV-L-18-M 22x1,5-SC |
| 200 | 22 | M 26 x 1,5 | 27,5 | 53,0 | 36 | 40 | 36 | THV-L-22-M 26x1,5-SC |
| 200 | 28 | M 33 x 2 | 32,0 | 66,0 | 46 | 50 | 41 | THV-L-28-M 33x2-SC |
| 200 | 35 | M 42 x 2 | 36,0 | 76,0 | 55 | 60 | 50 | THV-L-35-M 42x2-SC |
| 200 | 42 | M 48 x 2 | 40,5 | 87,0 | 60 | 70 | 60 | THV-L-42-M 48x2-SC |

Reihe S

| | | | | | | | | |
|-----|----|------------|------|------|----|----|----|----------------------|
| 500 | 6 | M 12 x 1,5 | 16,5 | 30,0 | 19 | 22 | 17 | THV-S-06-M 12x1,5-SC |
| 450 | 8 | M 14 x 1,5 | 16,5 | 30,0 | 19 | 22 | 19 | THV-S-08-M 14x1,5-SC |
| 400 | 10 | M 16 x 1,5 | 18,5 | 36,0 | 24 | 27 | 22 | THV-S-10-M 16x1,5-SC |
| 400 | 12 | M 18 x 1,5 | 20,0 | 39,5 | 27 | 30 | 24 | THV-S-12-M 18x1,5-SC |
| 400 | 14 | M 20 x 1,5 | 22,5 | 43,5 | 30 | 32 | 27 | THV-S-14-M 20x1,5-SC |
| 400 | 16 | M 22 x 1,5 | 22,0 | 45,0 | 30 | 32 | 30 | THV-S-16-M 22x1,5-SC |

| | | | | | | | | |
|-----|----|----------|------|------|----|----|----|--------------------|
| 400 | 20 | M 27 x 2 | 26,5 | 53,0 | 36 | 40 | 36 | THV-S-20-M 27x2-SC |
| 250 | 25 | M 33 x 2 | 31,5 | 66,0 | 46 | 50 | 46 | THV-S-25-M 33x2-SC |
| 250 | 30 | M 42 x 2 | 37,0 | 76,0 | 55 | 60 | 50 | THV-S-30-M 42x2-SC |
| 250 | 38 | M 48 x 2 | 41,5 | 87,0 | 60 | 70 | 60 | THV-S-38-M 48x2-SC |