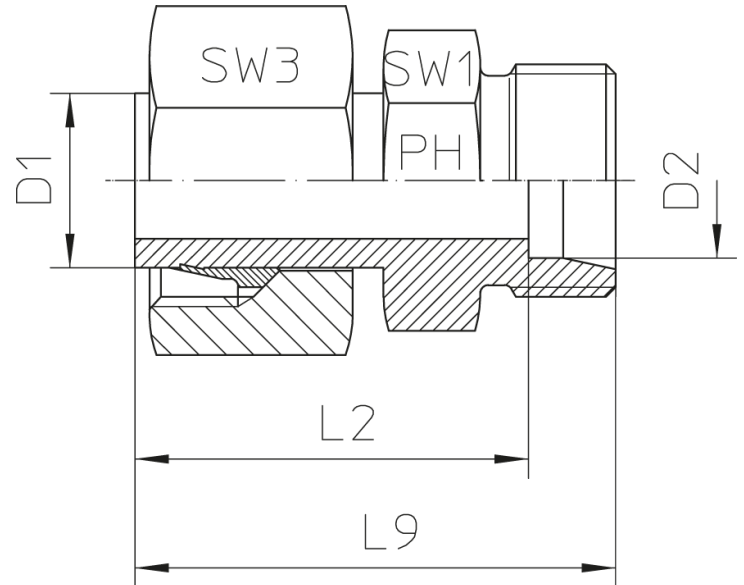
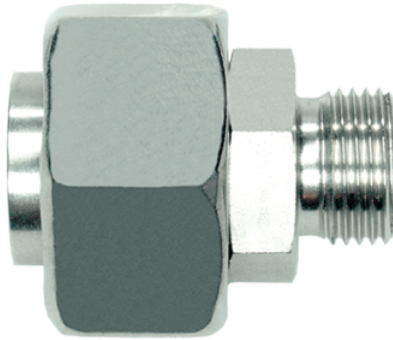


Rubrik 8.264

Konus-Reduzieranschlüsse - OMD



Anschluss D1 ist vormontiert. Die Fertigmontage erfolgt im Stutzen mit ca. 1/2 Umdrehung der Überwurfmutter über den Punkt des deutlich spürbaren Kraftanstieges.

Druck	Rohr A.D.		Ca. Maße				Bestellzeichen
	PN	D1	D2	L2	L9	SW1	

Reihe L

315	8	6	25,5	35,5	12	17	KOR-L-08/06-OMD
315	10	6	29,0	36,0	12	19	KOR-L-10/06-OMD
315	10	8	29,0	36,0	14	19	KOR-L-10/08-OMD
315	12	6	29,0	36,0	14	22	KOR-L-12/06-OMD
315	12	8	29,0	36,0	14	22	KOR-L-12/08-OMD
315	12	10	30,0	37,0	17	22	KOR-L-12/10-OMD
315	15	6	30,5	37,5	17	27	KOR-L-15/06-OMD
315	15	8	30,5	37,5	17	27	KOR-L-15/08-OMD
315	15	10	31,5	38,5	17	27	KOR-L-15/10-OMD
315	15	12	31,5	38,5	19	27	KOR-L-15/12-OMD
315	18	6	32,5	39,0	19	32	KOR-L-18/06-OMD
315	18	8	32,5	39,5	19	32	KOR-L-18/08-OMD
315	18	10	33,0	40,0	19	32	KOR-L-18/10-OMD
315	18	12	33,0	40,0	19	32	KOR-L-18/12-OMD
315	18	15	34,0	41,5	24	32	KOR-L-18/15-OMD
160	22	6	35,0	42,0	24	36	KOR-L-22/06-OMD
160	22	8	35,0	42,0	24	36	KOR-L-22/08-OMD
160	22	10	36,0	43,0	24	36	KOR-L-22/10-OMD

160	22	12	36,0	43,0	24	36	KOR-L-22/12-OMD
160	22	15	37,0	44,0	24	36	KOR-L-22/15-OMD
160	22	18	36,5	44,0	27	36	KOR-L-22/18-OMD
160	28	6	35,0	42,0	30	41	KOR-L-28/06-OMD
160	28	8	35,0	42,0	30	41	KOR-L-28/08-OMD
160	28	10	36,0	43,0	30	41	KOR-L-28/10-OMD
160	28	12	36,0	43,0	30	41	KOR-L-28/12-OMD
160	28	15	37,0	44,0	30	41	KOR-L-28/15-OMD
160	28	18	37,5	45,0	30	41	KOR-L-28/18-OMD
160	28	22	39,0	46,5	30	41	KOR-L-28/22-OMD
160	35	6	43,0		36	50	KOR-L-35/06-OMD
160	35	8	43,0		36	50	KOR-L-35/08-OMD
160	35	10	44,0	50,0	36	50	KOR-L-35/10-OMD
160	35	12	44,0	50,0	36	50	KOR-L-35/12-OMD
160	35	15	45,0	51,0	36	50	KOR-L-35/15-OMD
160	35	18	44,5	51,0	36	50	KOR-L-35/18-OMD
160	35	22	46,5	54,0	36	50	KOR-L-35/22-OMD
160	35	28	46,5	54,0	41	50	KOR-L-35/28-OMD
160	42	6	44,0		36	60	KOR-L-42/06-OMD
160	42	8	44,0		46	60	KOR-L-42/08-OMD
160	42	10	45,0	52,0	46	60	KOR-L-42/10-OMD
160	42	12	45,0	52,0	46	60	KOR-L-42/12-OMD
160	42	15	46,0	53,0	46	60	KOR-L-42/15-OMD
160	42	18	44,0	53,0	46	60	KOR-L-42/18-OMD
160	42	22	46,5	54,0	46	60	KOR-L-42/22-OMD
160	42	28	47,5	55,0	46	60	KOR-L-42/28-OMD
160	42	35	47,5	58,0	46	60	KOR-L-42/35-OMD