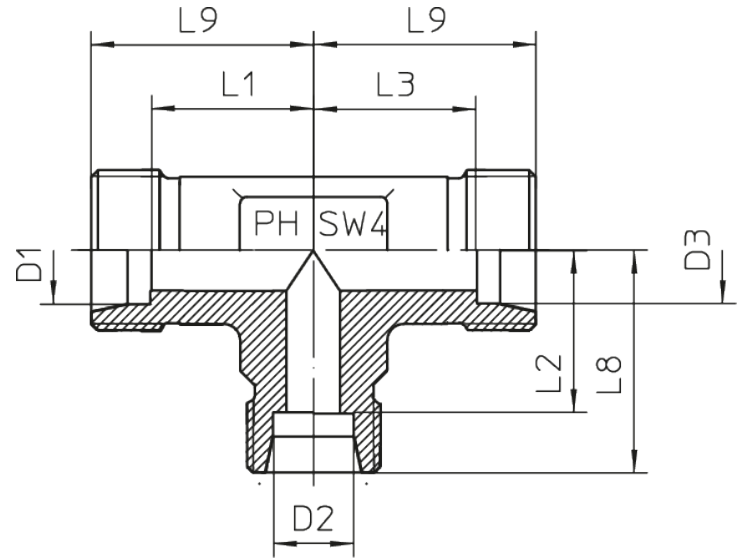
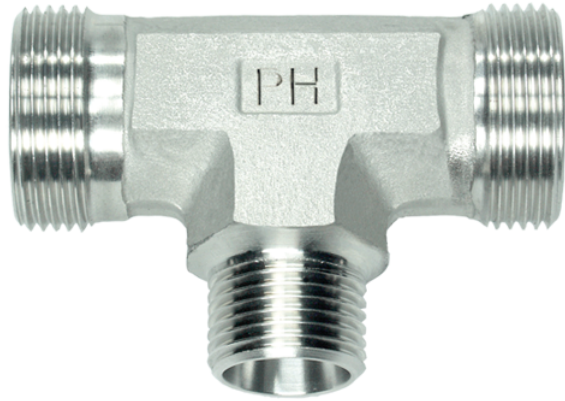


Rubrik 8.34

TRV - Verschraubungsstutzen - OMD



T-Reduzier-Verschraubungsstutzen L-Reihe Andere Sprunggrößen auf Anfrage!

Druck	Rohr A.D.			Ca. Maße						Bestellzeichen
PN	D1	D2	D3	L1	L2	L3	L8	L9	SW4	
Reihe L										
500	6	8	6	14,0	14,0	14,0	21,0	21,0	14	TRV-L-06/08/06-OMD
500	6	8	8						14	TRV-L-06/08/08-OMD
500	6	10	6						17	TRV-L-06/10/06-OMD
500	8	6	8	14,0	14,0	14,0	21,0	21,0	14	TRV-L-08/06/08-OMD
500	8	10	8	15,0	15,0	15,0	22,0	22,0	17	TRV-L-08/10/08-OMD
400	8	12	8	17,0	17,0	17,0	24,0	24,0	17	TRV-L-08/12/08-OMD
500	10	6	10	15,0	15,0	15,0	22,0	22,0	17	TRV-L-10/06/10-OMD
500	10	8	10	15,0	15,0	15,0	22,0	22,0	17	TRV-L-10/08/10-OMD
500	10	10	6	15,0	15,0	15,0	22,0	22,0	17	TRV-L-10/10/06-OMD
400	10	12	10						17	TRV-L-10/12/10-OMD
400	10	15	10	21,0	21,0	21,0	28,0	28,0	19	TRV-L-10/15/10-OMD
400	12	6	12	17,0	17,0	17,0	24,0	24,0	17	TRV-L-12/06/12-OMD
400	12	8	8	17,0	17,0	17,0	24,0	24,0	17	TRV-L-12/08/08-OMD
400	12	8	12	17,0	17,0	17,0	24,0	24,0	17	TRV-L-12/08/12-OMD
400	12	10	12	17,0	17,0	17,0	24,0	24,0	17	TRV-L-12/10/12-OMD
400	12	10	10	17,0	17,0	17,0	24,0	24,0	17	TRV-L-12/10/10-OMD
400	12	12	10						17	TRV-L-12/12/10-OMD
400	12	15	12	21,0	21,0	21,0	28,0	28,0	19	TRV-L-12/15/12-OMD

400	12	18	12	23,0	22,5	23,0	30,0	30,0	24	TRV-L-12/18/12-OMD
400	15	6	15	21,0	21,0	21,0	28,0	28,0	19	TRV-L-15/06/15-OMD
400	15	8	15	21,0	21,0	21,0	28,0	28,0	19	TRV-L-15/08/15-OMD
400	15	10	15	21,0	21,0	21,0	28,0	28,0	19	TRV-L-15/10/15-OMD
400	15	12	12	21,0	21,0	21,0	28,0	28,0	19	TRV-L-15/12/12-OMD
400	15	12	15	21,0	21,0	21,0	28,0	28,0	19	TRV-L-15/12/15-OMD
400	15	15	12	21,0	21,0	21,0	28,0	28,0	19	TRV-L-15/15/12-OMD
250	15	22	15	28,0	27,5	28,0	35,0	35,0	27	TRV-L-15/22/15-OMD
400	18	8	18	23,5	24,0	23,5	31,0	31,0	24	TRV-L-18/08/18-OMD
400	18	10	10	23,5	24,0	24,0	31,0	31,0	24	TRV-L-18/10/10-OMD
400	18	10	18	23,5	24,0	23,5	31,0	31,0	24	TRV-L-18/10/18-OMD
400	18	12	18	23,5	24,0	23,5	31,0	31,0	24	TRV-L-18/12/18-OMD
400	18	15	18	23,5	24,0	23,5	31,0	31,0	24	TRV-L-18/15/18-OMD
400	18	18	10	23,5	23,5	24,0	31,0	31,0	24	TRV-L-18/18/10-OMD
250	22	10	22	27,5	28,0	27,5	35,0	35,0	27	TRV-L-22/10/22-OMD
250	22	12	22	27,5	28,0	27,5	35,0	35,0	27	TRV-L-22/12/22-OMD
250	22	15	15	27,5	28,0	28,0	35,0	35,0	27	TRV-L-22/15/15-OMD
250	22	15	22	27,5	28,0	27,5	35,0	35,0	27	TRV-L-22/15/22-OMD
250	22	18	18	27,5	27,5	27,5	35,0	35,0	27	TRV-L-22/18/18-OMD
250	22	18	22	27,5	27,5	27,5	35,0	35,0	27	TRV-L-22/18/22-OMD
250	22	22	15	27,5	27,5	28,0	35,0	35,0	27	TRV-L-22/22/15-OMD
250	22	22	18	27,5	27,5	27,5	35,0	35,0	36	TRV-L-22/22/18-OMD
250	28	10	28	30,5	31,0	30,5	38,0	38,0	36	TRV-L-28/10/28-OMD
250	28	12	28	30,5	31,0	30,5	38,0	38,0	36	TRV-L-28/12/28-OMD
250	28	15	28	30,5	31,0	30,5	38,0	38,0	36	TRV-L-28/15/28-OMD
250	28	18	28	30,5	30,5	30,5	38,0	38,0	36	TRV-L-28/18/28-OMD
250	28	22	22	30,5	30,5	30,5	38,0	38,0	36	TRV-L-28/22/22-OMD
250	28	22	28	30,5	30,5	30,5	38,0	38,0	36	TRV-L-28/22/28-OMD
250	28	28	22	30,5	30,5	38,0	38,0	38,0	36	TRV-L-28/28/22-OMD
250	28	35	28	37,5	34,0	37,5	45,0	45,0	36	TRV-L-28/35/28-OMD
250	35	10	35	34,5	38,0	34,5	45,0	45,0	41	TRV-L-35/10/35-OMD
250	35	12	35	34,5	38,0	34,5	45,0	45,0	41	TRV-L-35/12/35-OMD
250	35	15	35	34,5	38,0	34,5	45,0	45,0	41	TRV-L-35/15/35-OMD
250	35	18	35	34,5	37,5	34,5	45,0	45,0	41	TRV-L-35/18/35-OMD
250	35	22	35	34,5	37,5	34,5	45,0	45,0	41	TRV-L-35/22/35-OMD
250	35	28	35	34,5	37,5	34,5	45,0	45,0	41	TRV-L-35/28/35-OMD
250	35	42	35	40,5	40,0	40,5	51,0	51,0	50	TRV-L-35/42/35-OMD
250	42	12	42	40,0	44,0	40,0	51,0	51,0	50	TRV-L-42/12/42-OMD
250	42	15	42	40,0	44,0	40,0	51,0	51,0	50	TRV-L-42/15/42-OMD
250	42	18	42	40,0	43,5	40,0	51,0	51,0	50	TRV-L-42/18/42-OMD
250	42	22	42	40,0	43,5	40,0	51,0	51,0	50	TRV-L-42/22/42-OMD
250	42	28	42	40,0	43,5	40,0	51,0	51,0	50	TRV-L-42/28/42-OMD
250	42	35	42	40,0	40,5	40,0	51,0	51,0	50	TRV-L-42/35/42-OMD