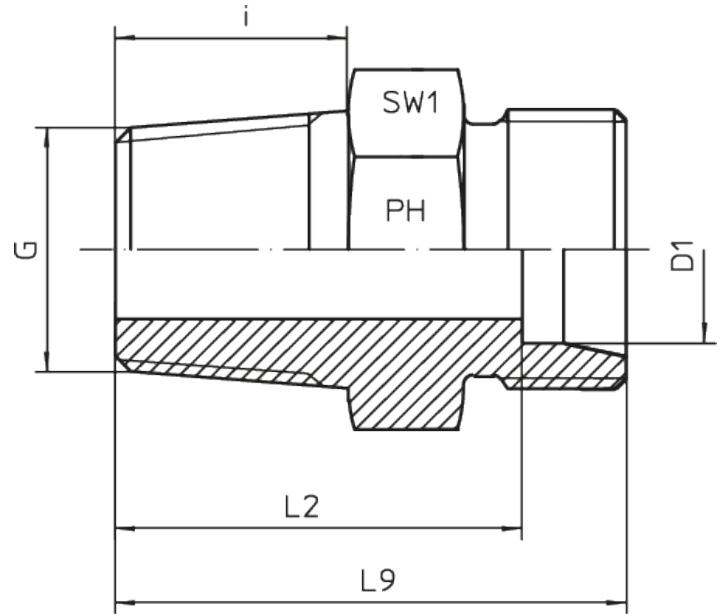
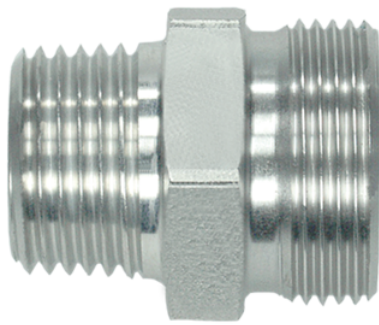


## Rubrik 8.89

### Whitworth - Kegelig - OMD



Gerade Einschraubverschraubungsstutzen S-Reihe Einschraubgewinde: Whitworth-Rohrgewinde - Kegelig Andere Sprunggrößen auf Anfrage!  
 (1) Die angegebenen Druckstufen sind nur gültig, wenn die Einschraublöcher mit kegeligem Gewinde vorhanden sind.

Druck	Rohr A.D.	Gewinde	Ca. Maße				Bestellzeichen
(1) PN	D1	G	L2	L9	i	SW1	
<b>Reihe S</b>							
630	6	R 1/8" keg	19,0	26,0	8	14	GE-S-06-R 1/8"-k-OMD
630	6	R 1/4" keg	25,0	32,0	12	17	GE-S-06-R 1/4"-k-OMD
630	6	R 3/8" keg	25,0	32,0	12	17	GE-S-06-R 3/8"-k-OMD
630	8	R 1/8" keg	19,0	26,0	8	17	GE-S-08-R 1/8"-k-OMD
630	8	R 1/4" keg	25,0	32,0	12	17	GE-S-08-R 1/4"-k-OMD
630	8	R 3/8" keg	25,0	32,0	12	19	GE-S-08-R 3/8"-k-OMD
630	10	R 1/4" keg	25,0	32,0	12	19	GE-S-10-R 1/4"-k-OMD
630	10	R 3/8" keg	25,0	32,0	12	19	GE-S-10-R 3/8"-k-OMD
630	10	R 1/2" keg	26,5	34,0	14	22	GE-S-10-R 1/2"-k-OMD
630	12	R 1/4" keg	26,5	34,0	12	22	GE-S-12-R 1/4"-k-OMD
630	12	R 3/8" keg	25,0	32,0	12	22	GE-S-12-R 3/8"-k-OMD
630	12	R 1/2" keg	26,5	34,0	14	22	GE-S-12-R 1/2"-k-OMD
630	14	R 3/8" keg	27,0	35,0	12	24	GE-S-14-R 3/8"-k-OMD
630	14	R 1/2" keg	32,0	38,0	14	24	GE-S-14-R 1/2"-k-OMD
400	16	R 3/8" keg	28,5	36,0	12	27	GE-S-16-R 3/8"-k-OMD
400	16	R 1/2" keg	29,0	38,0	14	27	GE-S-16-R 1/2"-k-OMD
400	16	R 3/4" keg	31,5	40,0	16	27	GE-S-16-R 3/4"-k-OMD
400	20	R 1/2" keg	29,5	40,0	14	32	GE-S-20-R 1/2"-k-OMD

400	20	R 3/4" keg	33,5	44,0	16	32	GE-S-20-R 3/4"-k-OMD
160	20	R 1" keg	35,5	46,0	18	36	GE-S-20-R 1"-k-OMD
160	25	R 3/4" keg			16	41	GE-S-25-R 3/4"-k-OMD
160	25	R 1" keg	33,0	49,0	18	41	GE-S-25-R 1"-k-OMD
160	30	R 1 1/4" keg	35,5	49,0	20	46	GE-S-30-R 1 1/4"-k-OMD
160	38	R 1 1/2" keg	49,0	65,0	22	55	GE-S-38-R 1 1/2"-k-OMD