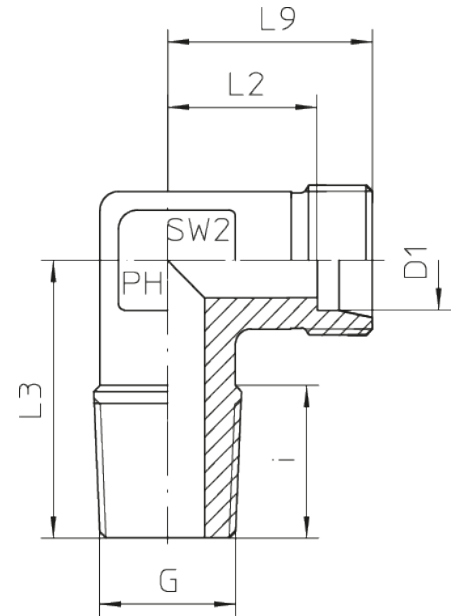


Rubrik 8.101

Whitworth - Kegelig - OMD



Winkel-Einschraubverschraubungsstutzen LL- und L-Reihe Einschraubgewinde: Whitworth-Rohrgewinde - Kegelig

Druck	Rohr A.D.	Gewinde	Ca. Maße					Bestellzeichen
PN	D1	G	L2	L3	L9	i	SW2	

Reihe LL

100	4	R 1/8" keg	11,0	17	15,0	8	9	WE-LL-04-R 1/8"-k-OMD
100	6	R 1/8" keg	9,5	17	15,0	8	9	WE-LL-06-R 1/8"-k-OMD
100	8	R 1/8" keg	11,5	20	17,0	8	12	WE-LL-08-R 1/8"-k-OMD

Reihe L

315	6	R 1/8" keg	12,0	20,0	19,0	8	12	WE-L-06-R 1/8"-k-OMD
315	6	R 1/4" keg	12,0	26,0	19,0	12	12	WE-L-06-R 1/4"-k-OMD
315	6	R 3/8" keg	15,0	27,0	22,0	12	14	WE-L-06-R 3/8"-k-OMD
315	6	R 1/2" keg	15,5	30,0	26,0	14	17	WE-L-06-R 1/2"-k-OMD
315	8	R 1/8" keg	14,0	26,0	21,0	8	12	WE-L-08-R 1/8"-k-OMD
315	8	R 1/4" keg	14,0	26,0	21,0	12	12	WE-L-08-R 1/4"-k-OMD
315	8	R 3/8" keg	15,0	28,0	22,0	12	14	WE-L-08-R 3/8"-k-OMD
315	8	R 1/2" keg	19,5	30,0	26,0	14	17	WE-L-08-R 1/2"-k-OMD
315	10	R 1/8" keg	15,0	27,0	22,0	8	14	WE-L-10-R 1/8"-k-OMD
315	10	R 1/4" keg	15,0	27,0	22,0	12	14	WE-L-10-R 1/4"-k-OMD
315	10	R 3/8" keg	15,0	28,0	22,0	12	14	WE-L-10-R 3/8"-k-OMD
315	10	R 1/2" keg	21,0	33,0	28,0	14	17	WE-L-10-R 1/2"-k-OMD
315	12	R 1/8" keg	17,5	27,0	24,0	8	17	WE-L-12-R 1/8"-k-OMD

315	12	R 1/4" keg	17,5	27,0	24,0	12	17	WE-L-12-R 1/4"-k-OMD
315	12	R 3/8" keg	17,5	28,0	24,0	12	17	WE-L-12-R 3/8"-k-OMD
315	12	R 1/2" keg	17,5	34,0	27,5	14	17	WE-L-12-R 1/2"-k-OMD
315	15	R 1/4" keg	21,0	32,0	28,0	12	19	WE-L-15-R 1/4"-k-OMD
315	15	R 3/8" keg	21,0	32,5	28,0	12	19	WE-L-15-R 3/8"-k-OMD
315	15	R 1/2" keg	21,0	34,0	28,0	14	19	WE-L-15-R 1/2"-k-OMD
160	15	R 3/4" keg	21,0	42,0	28,0	16	24	WE-L-15-R 3/4"-k-OMD
315	18	R 3/8" keg	23,5	36,5	31,0	12	24	WE-L-18-R 3/8"-k-OMD
315	18	R 1/2" keg	23,5	36,0	31,0	14	24	WE-L-18-R 1/2"-k-OMD
160	18	R 3/4" keg	22,0	41,0	31,0	16	24	WE-L-18-R 3/4"-k-OMD
160	22	R 1/2" keg	27,5	41,0	35,0	14	27	WE-L-22-R 1/2"-k-OMD
160	22	R 3/4" keg	27,5	41,0	35,0	16	27	WE-L-22-R 3/4"-k-OMD
160	28	R 1" keg	30,5	47,0	38,0	20	36	WE-L-28-R 1"-k-OMD
160	35	R 1 1/4" keg	33,0	56,0	45,0	26	41	WE-L-35-R 1 1/4"-k-OMD