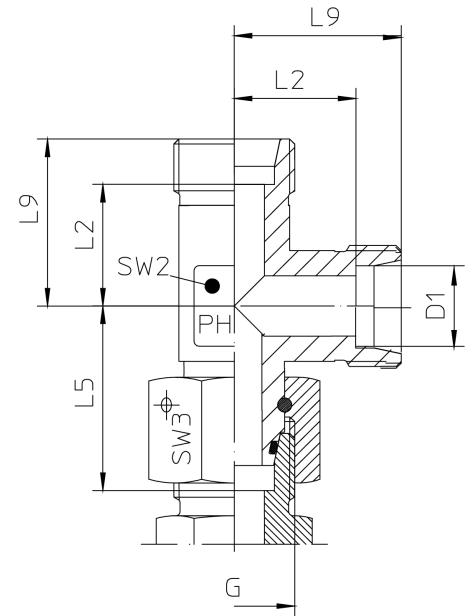
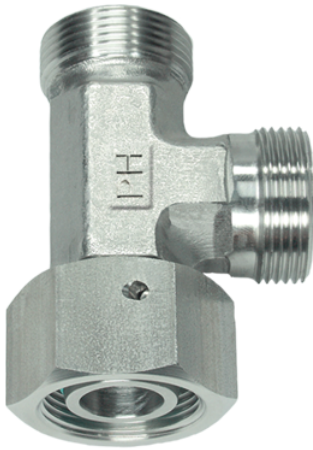


Rubrik 9.34

EL-Verschraubungen - OMD



Einstellbare L-Verschraubungen mit Dichtkegel und O-Ring FKM Rohrseitig Schneidringanschluss

| Druck | Rohr A.D. | Gewinde | Ca. Maße | | | | | Bestellzeichen | |
|-------|-----------|---------|----------|----|----|-----|-----|----------------|--|
| | | | L2 | L5 | L9 | SW2 | SW3 | | |
| PN | D1 | G | | | | | | | |

Reihe L

| | | | | | | | | |
|-----|----|------------|------|------|------|----|----|----------------|
| 500 | 6 | M 12 x 1,5 | 12,0 | 26,0 | 19,0 | 12 | 14 | EL-DKOL-06-OMD |
| 500 | 8 | M 14 x 1,5 | 14,0 | 27,5 | 21,0 | 12 | 17 | EL-DKOL-08-OMD |
| 500 | 10 | M 16 x 1,5 | 15,0 | 29,0 | 22,0 | 14 | 19 | EL-DKOL-10-OMD |
| 400 | 12 | M 18 x 1,5 | 17,0 | 29,5 | 24,0 | 17 | 22 | EL-DKOL-12-OMD |
| 400 | 15 | M 22 x 1,5 | 21,0 | 32,5 | 28,0 | 19 | 27 | EL-DKOL-15-OMD |
| 400 | 18 | M 26 x 1,5 | 23,5 | 35,5 | 31,0 | 24 | 32 | EL-DKOL-18-OMD |
| 250 | 22 | M 30 x 2 | 27,5 | 38,5 | 35,0 | 27 | 36 | EL-DKOL-22-OMD |
| 250 | 28 | M 36 x 2 | 30,5 | 41,5 | 38,0 | 36 | 41 | EL-DKOL-28-OMD |
| 250 | 35 | M 45 x 2 | 34,5 | 51,0 | 45,0 | 41 | 50 | EL-DKOL-35-OMD |
| 250 | 42 | M 52 x 2 | 40,0 | 56,0 | 51,0 | 50 | 60 | EL-DKOL-42-OMD |

Reihe S

| | | | | | | | | |
|-----|----|------------|------|------|------|----|----|----------------|
| 800 | 6 | M 14 x 1,5 | 16,0 | 27,0 | 23,0 | 12 | 17 | EL-DKOS-06-OMD |
| 800 | 8 | M 16 x 1,5 | 17,0 | 27,5 | 24,0 | 14 | 19 | EL-DKOS-08-OMD |
| 800 | 10 | M 18 x 1,5 | 17,5 | 30,0 | 25,0 | 17 | 22 | EL-DKOS-10-OMD |
| 630 | 12 | M 20 x 1,5 | 21,5 | 31,0 | 29,0 | 17 | 24 | EL-DKOS-12-OMD |
| 630 | 14 | M 22 x 1,5 | 22,0 | 35,0 | 30,0 | 19 | 27 | EL-DKOS-14-OMD |
| 630 | 16 | M 24 x 1,5 | 24,5 | 36,5 | 33,0 | 24 | 30 | EL-DKOS-16-OMD |

| | | | | | | | | |
|-----|----|----------|------|------|------|----|----|----------------|
| 420 | 20 | M 30 x 2 | 26,5 | 44,5 | 37,0 | 27 | 36 | EL-DKOS-20-OMD |
| 420 | 25 | M 36 x 2 | 30,0 | 50,0 | 42,0 | 36 | 46 | EL-DKOS-25-OMD |
| 420 | 30 | M 42 x 2 | 35,5 | 55,0 | 49,0 | 41 | 50 | EL-DKOS-30-OMD |
| 420 | 38 | M 52 x 2 | 41,0 | 63,0 | 57,0 | 50 | 60 | EL-DKOS-38-OMD |