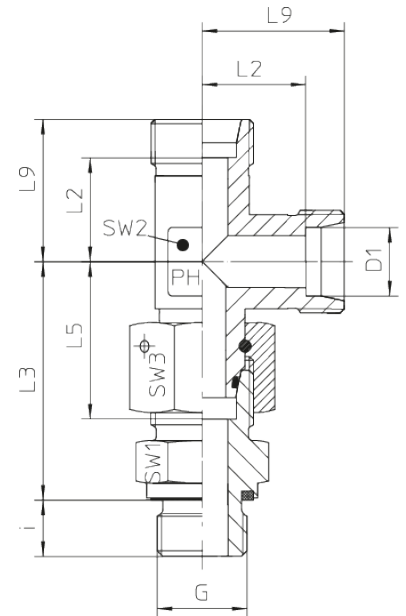


Rubrik 9.37

EL-Verschraubungen - Whitworth - Zyl. - OMD



Einstellbare L-Verschraubungen mit Dichtkegel und O-Ring FKM Rohrseitig Schneidringanschluss Einschraubgewinde: Whitworth-Rohrgewinde - Zylindrisch wd = Abdichtung durch Profildichtung - FKM

Druck	Rohr A.D.	Gewinde	Ca. Maße								Bestellzeichen
			L2	L3	L5	L9	i	SW1	SW2	SW3	

Reihe L

500	6	G 1/8"	12,0	34,5	26,0	19,0	8	14	12	14	EL-DKOL-06-G 1/8"-wd-OMD
500	8	G 1/4"	14,0	37,5	27,5	21,0	12	19	12	17	EL-DKOL-08-G 1/4"-wd-OMD
500	10	G 1/4"	15,0	40,0	29,0	22,0	12	19	14	19	EL-DKOL-10-G 1/4"-wd-OMD
400	12	G 3/8"	17,0	42,0	29,5	24,0	12	22	17	22	EL-DKOL-12-G 3/8"-wd-OMD
400	15	G 1/2"	21,0	46,5	32,5	28,0	14	27	19	27	EL-DKOL-15-G 1/2"-wd-OMD
400	18	G 1/2"	23,5	50,0	35,5	31,0	14	27	24	32	EL-DKOL-18-G 1/2"-wd-OMD
250	22	G 3/4"	27,5	55,0	38,5	35,0	16	32	27	36	EL-DKOL-22-G 3/4"-wd-OMD
250	28	G 1"	30,5	59,0	41,5	38,0	18	41	36	41	EL-DKOL-28-G 1"-wd-OMD
250	35	G 1 1/4"	34,5	68,5	51,0	45,0	20	50	41	50	EL-DKOL-35-G 1 1/4"-wd-OMD
250	42	G 1 1/2"	40,0	75,0	56,0	51,0	22	55	50	60	EL-DKOL-42-G 1 1/2"-wd-OMD

Reihe S

800	6	G 1/4"	16,0	40,0	27,0	23,0	12	19	12	17	EL-DKOS-06-G 1/4"-wd-OMD
800	8	G 1/4"	17,0	42,5	27,5	24,0	12	19	14	19	EL-DKOS-08-G 1/4"-wd-OMD
800	10	G 3/8"	17,5	45,0	30,0	25,0	12	22	17	22	EL-DKOS-10-G 3/8"-wd-OMD
630	12	G 3/8"	21,5	48,0	31,0	29,0	12	22	17	24	EL-DKOS-12-G 3/8"-wd-OMD
630	14	G 1/2"	22,0	54,0	35,0	30,0	14	27	19	27	EL-DKOS-14-G 1/2"-wd-OMD
630	16	G 1/2"	24,5	55,0	36,5	33,0	14	27	24	30	EL-DKOS-16-G 1/2"-wd-OMD

420	20	G 3/4"	26,5	65,0	44,5	37,0	16	32	27	36	EL-DKOS-20-G 3/4"-wd-OMD
420	25	G 1"	30,0	73,0	50,0	42,0	18	41	36	46	EL-DKOS-25-G 1"-wd-OMD
420	30	G 1 1/4"	35,5	78,5	55,0	49,0	20	50	41	50	EL-DKOS-30-G 1 1/4"-wd-OMD
420	38	G 1 1/2"	41,0	89,0	63,0	57,0	22	55	50	60	EL-DKOS-38-G 1 1/2"-wd-OMD