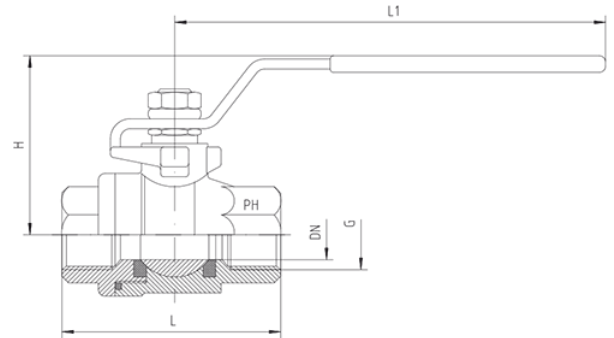
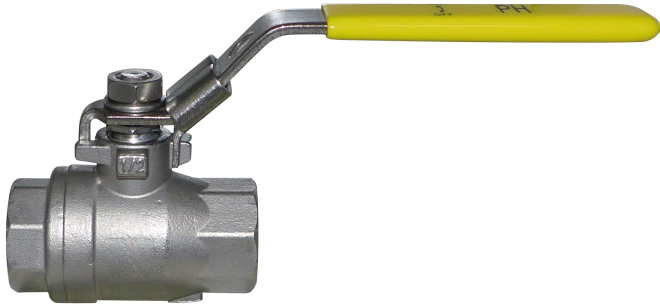


## Rubrik 13.24

### Volle Bohrung



Rohrinnengewinde: DIN / ISO 228 Zweiteilig - 1.4408 Volle Bohrung Dichtungen: Kugel + Schaltwelle = PTFE (-20°C + 180°C) Bei höheren Temperaturen beachten Sie bitte das Druck- / Temperaturdiagramm.

DN	Größe	Druck PB	Ca. Maße mm				Bestellzeichen
			G	H	L	L1	
8,5	1/8"	63	1/8"	50	55,0	100,0	KH-G 1/8"
11,5	1/4"	63	1/4"	50	55,0	100,0	KH-G 1/4"
12,5	3/8"	63	3/8"	50	55,0	100,0	KH-G 3/8"
15,0	1/2"	63	1/2"	60	65,0	130,0	KH-G 1/2"
20,0	3/4"	63	3/4"	64	72,0	130,0	KH-G 3/4"
25,0	1"	63	1"	71	84,0	165,0	KH-G 1"
32,0	1 1/4"	63	1 1/4"	78	94,0	165,0	KH-G 1 1/4"
38,0	1 1/2"	63	1 1/2"	86	110,0	190,0	KH-G 1 1/2"
50,0	2"	63	2"	95	126,0	190,0	KH-G 2"
65,0	2 1/2"	40	2 1/2"	130	161,0	250,0	KH-G 2 1/2"
80,0	3"	40	3"	148	178,0	250,0	KH-G 3"