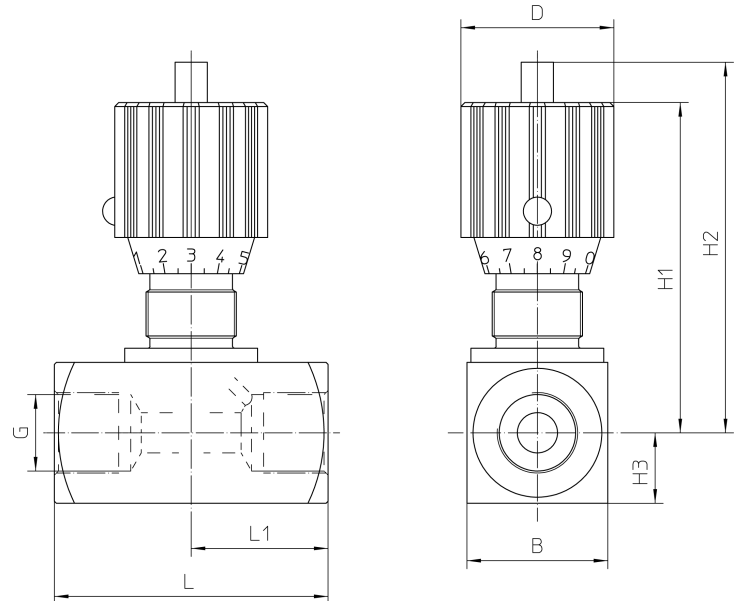


Rubrik 13.32

Nadel-Durchfluss-Drossel-Ventile



Rohrgewinde: DIN / ISO 228

BSP - Innengewinde

Temperatur: -30°C bis + 100°C

Dichtungen: NBR

Hinweis: Durchfluss-Drossel-Ventile nicht als Absperrventile nutzen, geringe Leckagerate auch bei max. Drosselposition möglich

	Druck	Gewinde	Ca. Maße mm	Ca. Maße mm	Ca. Maße mm					Bestellzeichen
DN	PN	G	B	D	H1	H2	H3	L	L1	
6	350	1/8"	16,0	24,0	51,0	56,0	8,0	38,0	19,0	NDV-G 1/8"
8	350	1/4"	25,0	29,0	65,0	71,0	12,5	48,0	24,0	NDV-G 1/4"
10	350	3/8"	30,0	29,0	68,0	75,0	15,0	58,0	29,0	NDV-G 3/8"
12	350	1/2"	35,0	38,0	82,0	92,0	17,5	68,0	34,0	NDV-G 1/2"
16	350	3/4"	45,0	38,0	96,0	106,0	22,5	78,0	39,0	NDV-G 3/4"
20	350	1"	50,0	49,0	121,0	134,0	25,0	108,0	54,0	NDV-G 1"
25	350	1 1/4"	60,0	49,0	126,0	139,0	30,0	108,0	54,0	NDV-G 1 1/4"
30	350	1 1/2"	70,0	49,0	131,0	144,0	35,0	108,0	54,0	NDV-G 1 1/2"
40	350	2"	90,0	49,0	141,0	154,0	45,0	120,0	60,0	NDV-G 2"